



P-EG

GAS/STEAM FILTER HOUSINGS

Process Filtration

Stainless steel steam, compressed air and gas filter housing.

Donaldson's P-EG filter housings are designed for purification of compressed air, technical gases and steam in the chemical, electronic, and food & beverage industries.

P-EG filter housings offer:

- Versatile 304 stainless steel design with NPT or ANSI flange connections in various sizes to fit most air, gas and steam applications
- A broad selection of elements for culinary steam, compressed air coalescence and sterile air filtration
- MTRs available upon request
- Gas capacity up to 21,577 m³/hr at 7 bar (12,700 scfm at 100 psig)
- Steam capacity up to 7756 kg/hr at 3 bar (17,100 lbs/hr at 50 psig)
- Design specifications that are customizable upon request

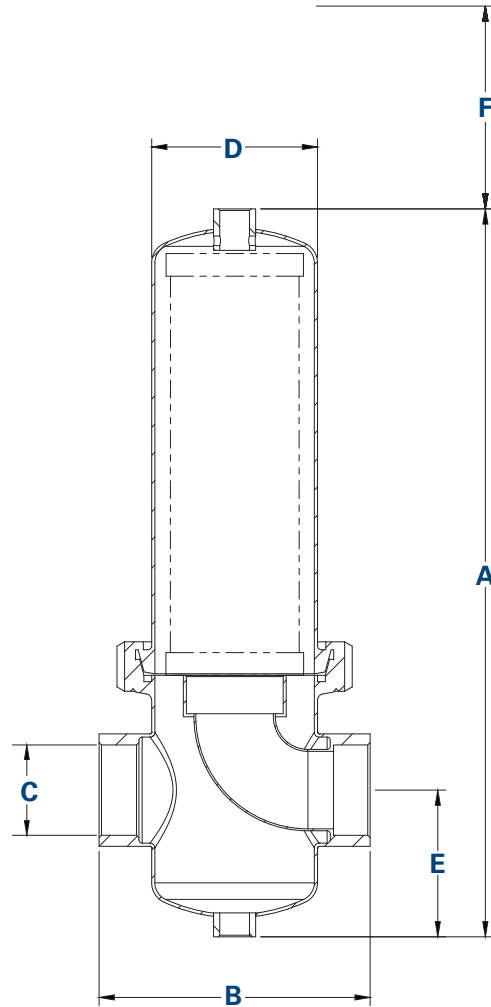


P-EG

SPECIFICATIONS

Model	Housing Material	Gasket	Pressure and Temp	I/O Connection Size		Int. Surface Finish	Vent/Drain Connection	Element	FNPT Part Number	Flange Part Number
				mm	inch					
0006	304 SS	EPDM	16.0 bar @ 200° C (232 psig @ 392° F)	6	1/4"	Pickled and Passivated to RA 63	13 mm (1/2") NPT, plugs provided	UF, 03/10, Qty 1	AG1252538	N/A
0009				9	3/8"			UF, 04/10, Qty 1	AG1252539	N/A
0012				13	1/2"			UF, 04/25, Qty 1	AG1252540	N/A
0018				19	3/4"			UF, 05/20, Qty 1	AG1252541	N/A
0027				25	1"			UF, 05/25, Qty 1	AG1252542	AG1252550
0036				31	1-1/4"			UF, 07/25, Qty 1	AG1252543	AG1252551
0048				38	1-1/2"			UF, 07/30, Qty 1	AG1252544	AG1252552
0072				51	2"			UF, 10/30, Qty 1	AG1252545	AG1252553
0108				51	2"			UF, 15/30, Qty 1	AG1252546	AG1252554
0144				64	2-1/2"			UF, 20/30, Qty 1	AG1252547	AG1252555
0192			76	3"	UF, 30/30, Qty 1	AG1252548	AG1252556			
0288			76	3"	12.0 bar @ 200° C (174 psig @ 392° F)	UF, 30/50, Qty 1	AG1252549	AG1252557		
0432			102	4"	10.3 bar @ 232° C (150 psig @ 450° F)	Bead Blast		UF, 20/30, Qty 3	N/A	AG1081301
0576			UF, 30/30, Qty 3	N/A				AG1081401		
0768			UF, 30/30, Qty 4	N/A				AG1081501		
1152	UF, 30/30, Qty 6	N/A	AG1081601							
1536	UF, 30/30, Qty 8	N/A	AG1081701							
1920	UF, 30/30, Qty 10	N/A	AG1081801							

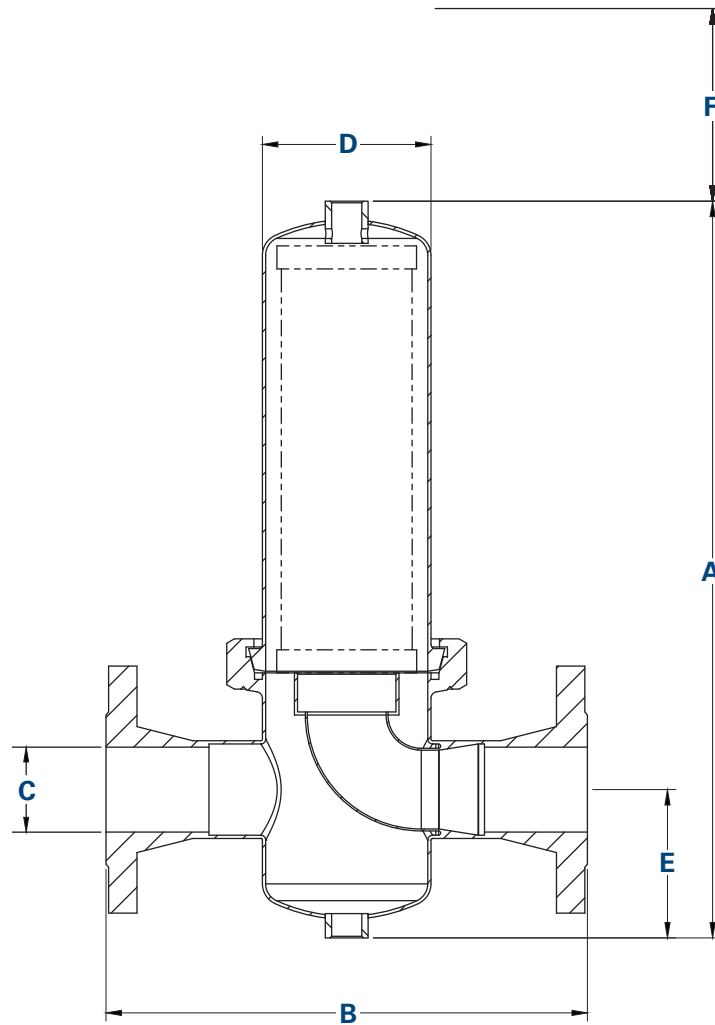
DIMENSIONS



WITH NPT THREAD CONNECTION

Size	Volume		Weight*		Dimensions												Element	FNPT Part Number
					A		B ± .125		C		D		E		F			
	liter	gal	kg	lbs	mm	inch	mm	inch	mm	inch	mm	inch	mm	inch	mm	inch		
0006	0.4	0.1	1.8	4	207	8.15	105	4.13	6	1/4	70	2.76	51	2.00	108	4.25	UF, 03/10, Qty 1	AG1252538
0009	0.8	0.2	2.0	4.5	235	9.27	105	4.13	9	3/8	70	2.76	51	2.00	140	5.50	UF, 04/10, Qty 1	AG1252539
0012	0.8	0.2	2.0	4.5	235	9.27	108	4.25	13	1/2	70	2.76	51	2.00	140	5.50	UF, 04/25, Qty 1	AG1252540
0018	0.8	0.2	2.0	4.5	260	10.25	125	4.92	19	3/4	70	2.76	51	2.00	165	6.50	UF, 05/20, Qty 1	AG1252541
0027	1.1	0.3	2.7	6	286	11.26	125	4.92	25	1	85	3.35	69	2.72	165	6.50	UF, 05/25, Qty 1	AG1252542
0036	1.1	0.3	3.2	7	338	13.31	140	5.51	31	1-1/4	85	3.35	70	2.76	279	11.00	UF, 07/25, Qty 1	AG1252543
0048	2.3	0.6	4.1	9	379	14.91	170	6.69	38	1-1/2	104	4.09	91	3.60	292	11.50	UF, 07/30, Qty 1	AG1252544
0072	3.4	0.9	5.2	11.5	456	17.97	170	6.69	51	2	104	4.09	92	3.62	368	14.50	UF, 10/30, Qty 1	AG1252545
0108	4.2	1.1	5.7	12.5	581	22.89	170	6.69	51	2	104	4.09	91	3.60	495	19.50	UF, 15/30, Qty 1	AG1252546
0144	7.9	2.1	8.8	19.5	728	28.68	207	8.15	64	2-1/2	129	5.08	101	3.98	635	25.00	UF, 20/30, Qty 1	AG1252547
0192	11.0	2.9	11.1	24.5	990	38.96	207	8.15	76	3	129	5.08	104	4.11	889	35.00	UF, 30/30, Qty 1	AG1252548
0288	16.7	4.4	14.7	32.5	1016	40.00	240	9.45	76	3	154	6.06	110	4.32	907	35.69	UF, 30/50, Qty 1	AG1252549

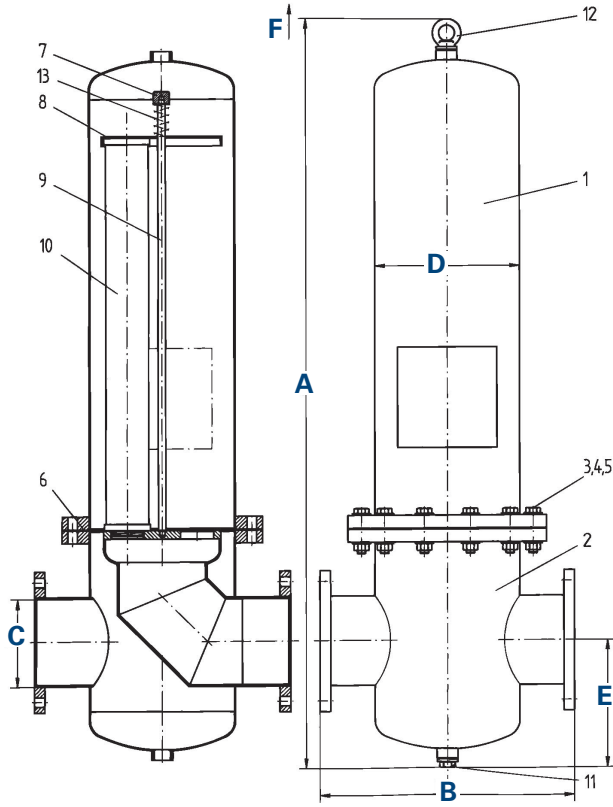
* Without filter element



WITH ANSI CLASS 150 FLANGE CONNECTION

Size	Volume		Weight*		Dimensions (inches)											Element	Flange Part Number	
					A		B ± .125		C**		D		E		F			
	liter	gal	kg	lbs	mm	inch	mm	inch	mm	inch	mm	inch	mm	inch	mm			inch
0027	1.1	0.3	4.99	11.00	285	11.24	246	9.69	25	1.00	85	3.35	68	2.66	165	6.50	UF, 05/25, Qty 1	AG1252550
0036	1.1	0.3	6.35	14.00	338	13.31	255	10.02	32	1.25	85	3.35	70	2.76	216	8.50	UF, 07/25, Qty 1	AG1252551
0048	2.3	0.6	7.71	17.00	379	14.92	294	11.57	38	1.50	104	4.09	91	3.58	216	8.50	UF, 07/30, Qty 1	AG1252552
0072	3.4	0.9	10.21	22.50	454	17.89	297	11.69	51	2.00	104	4.09	91	3.60	292	11.50	UF, 10/30, Qty 1	AG1252553
0108	4.2	1.1	10.33	22.78	581	22.89	297	11.69	51	2.00	104	4.09	91	3.58	419	16.50	UF, 15/30, Qty 1	AG1252554
0144	7.9	2.1	18.14	40.00	726	28.59	331	13.02	64	2.50	129	5.08	100	3.94	546	21.50	UF, 20/30, Qty 1	AG1252555
0192	11.0	2.9	20.64	45.50	989	38.94	331	13.02	76	3.00	129	5.08	104	4.11	800	31.50	UF, 30/30, Qty 1	AG1252556
0288	16.7	4.4	26.08	57.50	1017	40.02	380	14.95	76	3.00	154	6.06	110	4.34	826	32.50	UF, 30/50, Qty 1	AG1252557

* Without filter element
 ** 150 lbs ANSI B16.5



MULTI-ELEMENT WITH ANSI FLANGE CONNECTION

No.	Description
1	Upper housing bowl
2	Lower housing bowl
3	Hex bolt
4	Washer
5	Nut
6	Gasket
7	Hold-down nut
8	Hold-down plate
9	Tie rod
10	Filter element
11	Plug
12	Lifting lugs
13	Spring

Size	Volume		Weight*		Dimensions (inches)												Element	Flange Part Number
	liter	gal	kg	lbs	A		B ± .125		C**		D		E		F			
					mm	inch	mm	inch	mm	inch	mm	inch	mm	inch	mm	inch		
0432	36.0	9.5	64	140	931	36.66	410	16.14	102	4	219	8.62	184	7.25	584	23	UF, 20/30, Qty 3	AG1081301
0576	45.0	11.9	83	183	1185	46.66	410	16.14	102	4	219	8.62	184	7.25	838	33	UF, 30/30, Qty 3	AG1081401
0768	76.8	20.3	100	220	1350	53.13	480	18.90	152	6	273	10.75	229	9.00	838	33	UF, 30/30, Qty 4	AG1081501
1152	110.2	29.1	153	338	1392	54.79	540	21.26	152	6	324	12.75	224	8.82	838	33	UF, 30/30, Qty 6	AG1081601
1536	190.0	50.2	285	628	1591	62.63	660	26.00	203	8	406	16.00	402	15.82	838	33	UF, 30/30, Qty 8	AG1081701
1920	190.0	50.2	285	628	1537	60.50	660	25.98	203	8	406	16.00	352	13.87	838	33	UF, 30/30, Qty 10	AG1081801

* Without filter element
 ** 68 kg (150 lbs) ANSI B16.5



Important Notice

Many factors beyond the control of Donaldson can affect the use and performance of Donaldson products in a particular application, including the conditions under which the product is used. Since these factors are uniquely within the user's knowledge and control, it is essential the user evaluate the products to determine whether the product is fit for the particular purpose and suitable for the user's application. All products, specifications, availability and data are subject to change without notice, and may vary by region or country.



Donaldson Company, Inc.
 Minneapolis, MN

donaldson.com
shop.donaldson.com

Australasia 61-02-4350-2066
 marketing.australia@donaldson.com

Brazil 55-11-4894-6035
 vendas.brasil@donaldson.com

China 86-400-921-7032
 info.cn@donaldson.com

EMEA 49-2129-569-0
 cap-europe@donaldson.com

India 91-124-4807-400
 indiaenquiries@donaldson.com

Japan 81-42-540-4123
 ndl-ultrafilter-web@donaldson.com

Korea 82-2-517-3333
 cap-kr@donaldson.com

Latin America 52-449-300-2442
 industrialair@donaldson.com

North America 800-543-3634
 processfilters@donaldson.com

South Africa 27-11-997-6000
 samarketing@donaldson.com

Southeast Asia 65-6311-7373
 sea.salesenquiry@donaldson.com